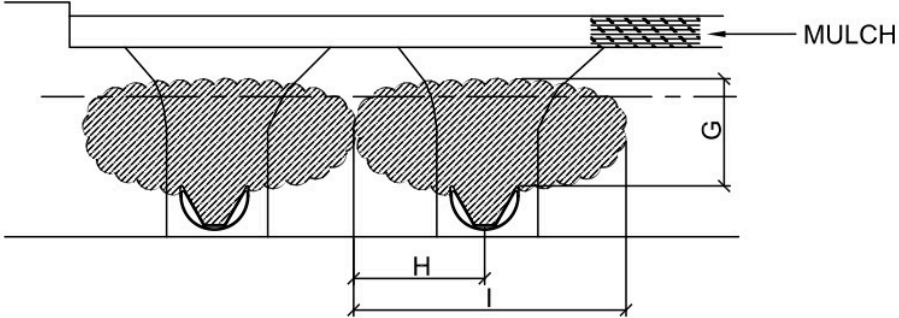
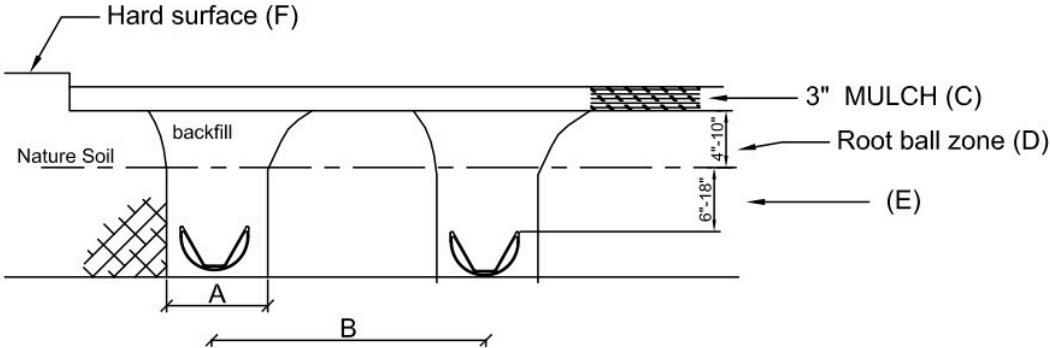
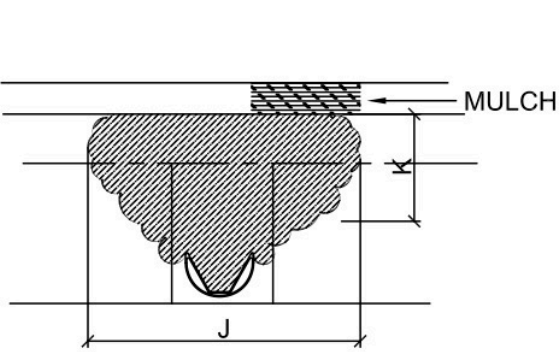


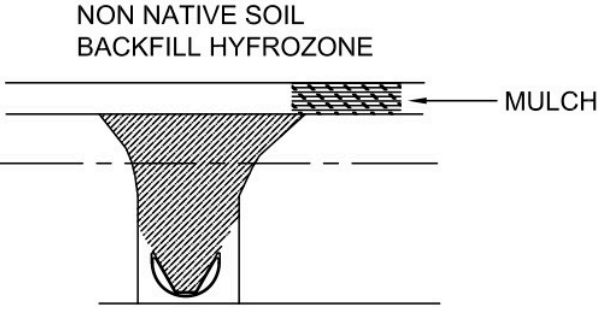
Aquifer Pipe Placement Specs



MOISTURE ZONE - STANDARD



MOISTURE ZONE - SHALLOW BURIED



MOISTURE ZONE - NON NATIVE BACKFILL