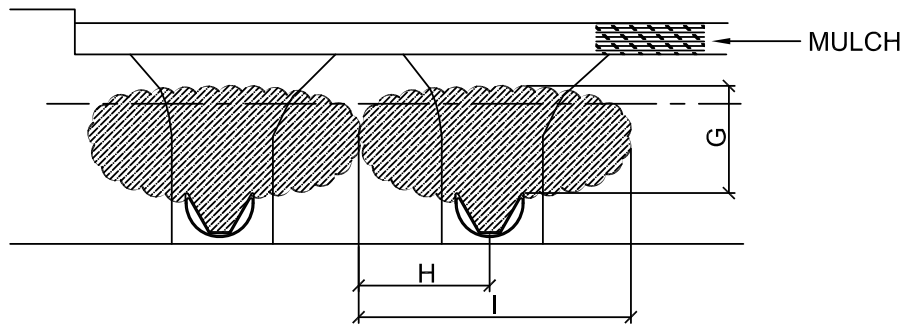
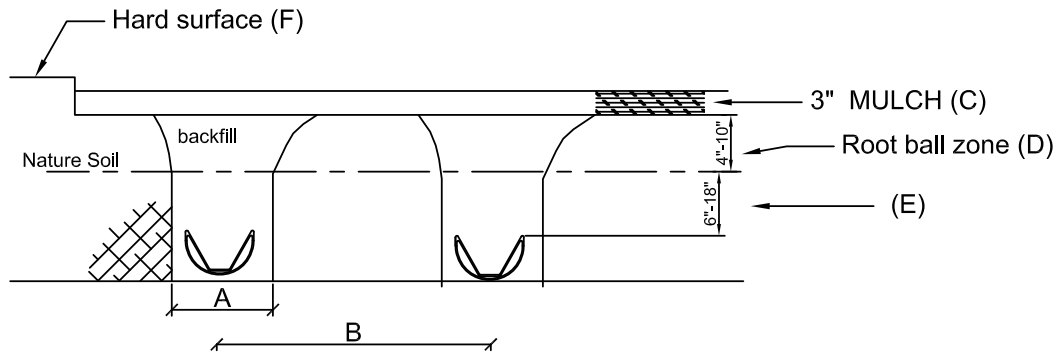
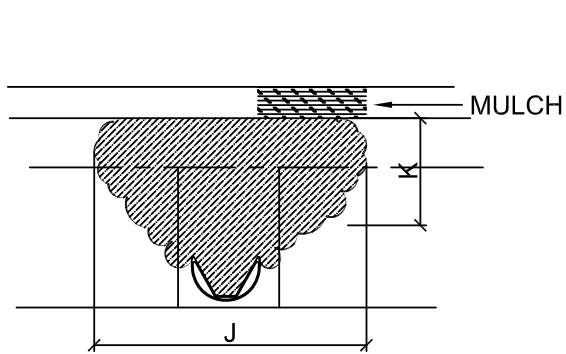


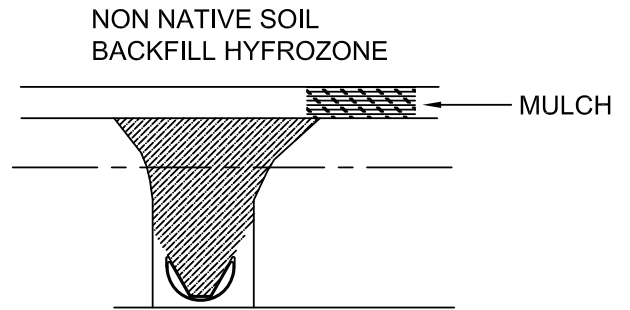
Aquifer Pipe Placement Specifications ver1



MOISTURE ZONE - STANDARD



MOISTURE ZONE - SHALLOW BURIED



MOISTURE ZONE - NON NATIVE BACKFILL